

Our original CU-JOINER is a flexible lead wire which can be inserted and pulled out with a touch of a socket-type connector.

The CU-JOINER is constructed so that only one side of the terminals for connector mounting is exposed and can connect to the contacts of any commercially available socket type connector. Three types are available.

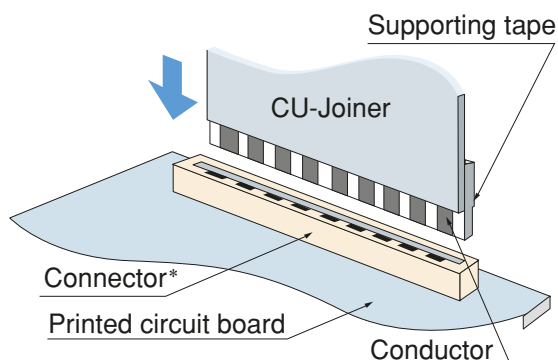
Selection item		Pitch (mm)			Shield		Halogen-free	
		0.5	1.0	1.25	Aluminum shield	Copper shield		
Type	Type F (supporting tape at both ends, on the same face)		○	○	○	○	○	○
	Type G (supporting tape at both ends, on opposite faces)		○	○	○	○	○	○
	Type H (supporting tape at one end)		○	○	○	○	○	○
Ratings	UL Style No.2896	80°C、30V	○	○	○	○	○	○
	UL Style No.20624	80°C、60V	○	○	○	○	○	—
	UL Style No.21147	80°C、60V	○	○	○	○	○	○
	UL Style No.20861	105°C、60V	○	○	○	○	○	—
	UL Style No.20890	105°C、90V	○	○	○	○	○	—
	UL Style No.2643	105°C、300V	—	—	○	○	○	—
Conductor thickness	35μm		○	○	○	○	○	○
	50μm		○	○	○	○	○	○
	100μm		—	○	○	—	*	*
Reference page			p4~5	p6~7	p8	p9	p10	p11~12

* : Available depending on conditions. Please contact us.

○ : Applicable — : Not Applicable

Application

- Electronic equipment
- Audio
- Printer
- Flat panel display
- Automotive equipment
- Optical pick-up
- Subminiature motor outlet wiring
- Personal computer
- GAME



Features

* The drawing shows the straight type connector. There is also an angle type.

- **Mounting costs can be reduced.**
Since both ends of the terminals are machined, terminal machining preprocessing can be eliminated.
- **Excellent flexibility.**
The flat copper conductor makes the CU-Joiner flexible.
- **Connector can be inserted to one end and soldered on the other end.**
- **Easy to insert and pull out.**
- **High wiring density and saves mounting space.**
- **Custom design available to match the mounting method.**
Type, number of wires, pitch between wires, terminal length, insulation length.
- **Suitable for a wide range of applications.**
- **UL approved**
Six types, including UL approved.

CU-Joiner 0.5mm

Whisker controlled <Modified II>

NWFCUJ (0.5) / NWSCUJ (0.5)

RoHS compliance

Features

- For high density wiring, minimizes dimension.
- Easy insertion to connector can reduce processing cost.
- Can be used as replacement FPC with lower cost.

Application

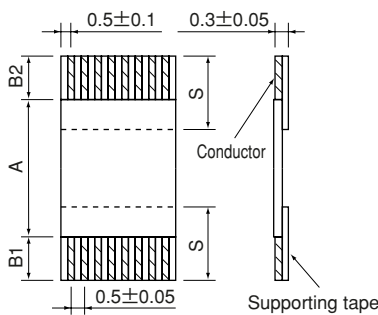
- Electronic equipment
- Flat panel display
- Automotive equipment
- Optical pick-up
- Personal computer
- GAME

● Ratings 2896:80°C, 30V
20624:80°C, 60V
20861:105°C, 60V
20890:105°C, 90V

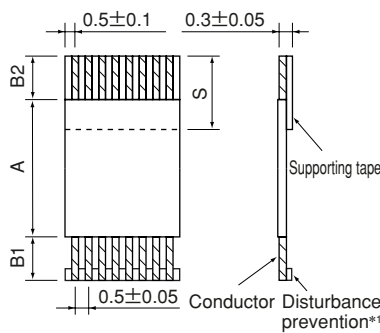
● Standard UL 758
● Hitachi specifications SP23-90979

Construction & specifications

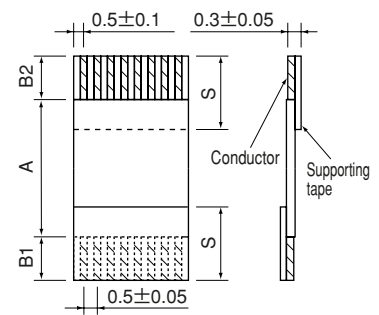
Type F (supporting tape at both ends, on the same side)



Type H (supporting tape at one end)



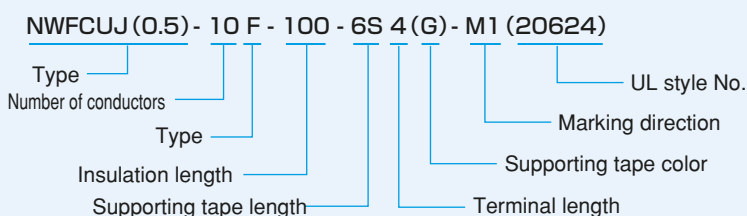
Type G (supporting tape at both ends, on reverse side)



Item	NWFCUJ (0.5)	NWSCUJ (0.5)
Conductor material	Modified II Tin plated flat copper conductor	
Conductor size	0.05×0.3mm	0.035×0.3mm
Insulation material	Polyester film (adhesive layer : flame retardant polyester) color : white	
Supporting tape material	Polyester color : green	
Number of conductors (N)	5 - 50	
Insulation length (A)	25 - 1,000mm	
Terminal length (B1)	3 - 6mm	
Terminal length (B2)	2 - 4mm	
Supporting tape length (S)	5 - 15mm	
Withstand voltage*2	A.C.250V/1min.	
Insulation resistance*2	Min.100 MΩ (D.C.250V at 20°C)	
Flammability	VW-1	

*1 : Depending on the conductor thickness, wrapping an insulation film around the end of the conductor to prevent disturbance is recommended.
*2 : Between conductors ● Also compatible with bent parts, taped parts, and shielded parts.

Example of product description



CU-Joiner 0.5mm Au plated

AFCUJ (0.5) / ASCUJ (0.5)

RoHS compliance

Features

- For high density wiring, minimizes dimension.
- Easy insertion to connector can reduce processing cost.
- Can be used as replacement FPC with lower cost.

Application

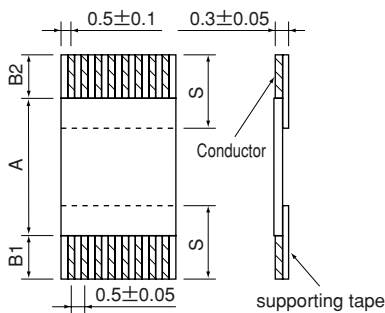
- Electronic equipment
- Flat panel display
- Automotive equipment
- Optical pick-up
- Personal computer
- GAME

● Ratings 2896:80°C, 30V
20624:80°C, 60V
20861:105°C, 60V
20890:105°C, 90V

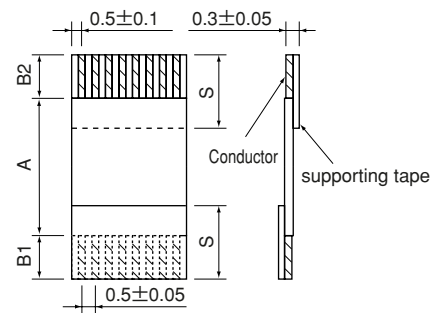
● Standard UL 758
● Hitachi specifications SP23-90982

Construction & specifications

Type F (supporting tape at both ends, on the same side)



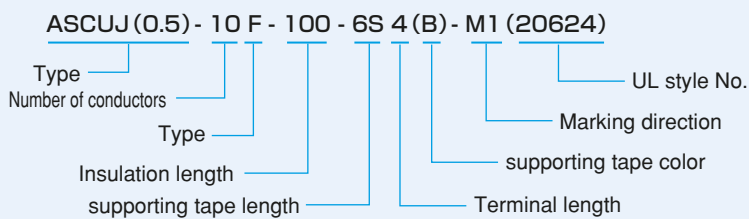
Type G (supporting tape at both ends, on reverse side)



Item	AFCUJ (0.5)	ASCUJ (0.5)
Conductor material	Au plated flat copper conductor	
Conductor size	0.05×0.3mm	0.035×0.3mm
Insulation material	Polyester film (adhesive layer : flame retardant polyester) color : white	
Supporting tape material	Polyester color : blue	
Number of conductors (N)	5 - 50	
Insulation length (A)	25 - 1,000mm	
Terminal length (B1)(B2)	3 - 6mm	
Supporting tape length (S)	5 - 15mm	
Withstand voltage*1	A.C.250V/1min.	
Insulation resistance*1	Min.100 MΩ (D.C.250V at 20°C)	
Flammability	VW-1	

*1 : Between conductors ● Also compatible with bent parts, taped parts, and shielded parts.

Example of product description



CU-Joiner 1.0mm

Whisker controlled <Modified II>

NWFCUJ (1.0) / NWSCUJ (1.0)

RoHS compliance

Features

- For high density wiring, minimizes dimension.
- Easy insertion to connector can reduce processing cost.
- Can be used as replacement FPC with lower cost.

Application

Electronic equipment

Printer

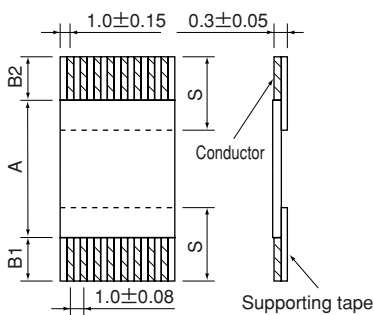
Subminiature motor outlet wiring

- Ratings 2896:80°C, 30V
20624:80°C, 60V
20861:105°C, 60V
20890:105°C, 90V

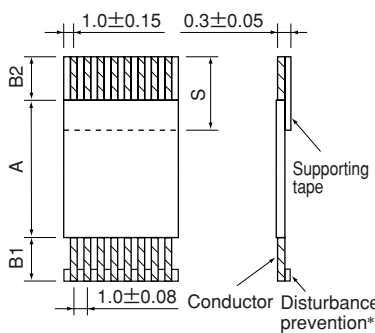
- Standard UL 758
- Hitachi specifications SP23-90980

Construction & specifications

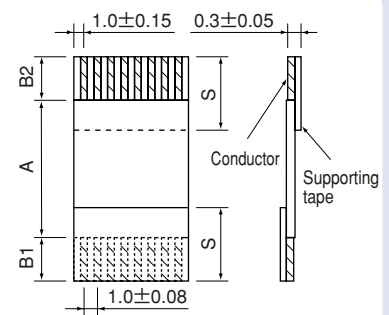
Type F (supporting tape at both ends, on the same side)



Type H (supporting tape at one end)



Type G (supporting tape at both ends, on reverse side)

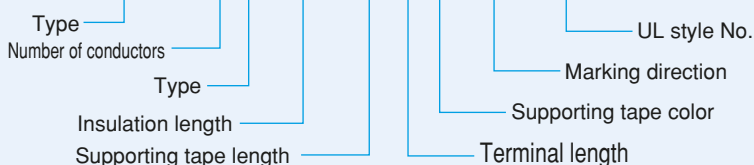


Item	NWFCUJ (1.0)	NWSCUJ (1.0)
Conductor material	Modified II Tin plated flat copper conductor	
Conductor size	0.05×0.7mm	0.035×0.7mm
Insulation material	Polyester film (adhesive layer : flame retardant polyester) color : white	
Supporting tape material	Polyester color : green	
Number of conductors (N)	5 - 40	
Insulation length (A)	25 - 1,000mm	
Terminal length (B1)	3 - 6mm	
Terminal length (B2)	2 - 4mm	
Supporting tape length (S)	5 - 15mm	
Withstand voltage*2	A.C.500V/1min.	
Insulation resistance*2	Min.100 MΩ (D.C.500V at 20°C)	
Flammability	VW-1	

*1 : Depending on the conductor thickness, wrapping an insulation film around the end of the conductor to prevent disturbance is recommended.
*2 : Between conductors ● Also compatible with bent parts, taped parts, and shielded parts.

Example of product description

NWFCUJ (1.0) - 10 F - 100 - 10S 5 (G) - M1 (20624)



CU-Joiner 1.0mm Au plated

AFCUJ (1.0) / ASCUJ (1.0)

RoHS compliance

Features

- For high density wiring, minimizes dimension.
- Easy insertion to connector can reduce processing cost.
- Can be used as replacement FPC with lower cost.

Application

Electronic equipment

Printer

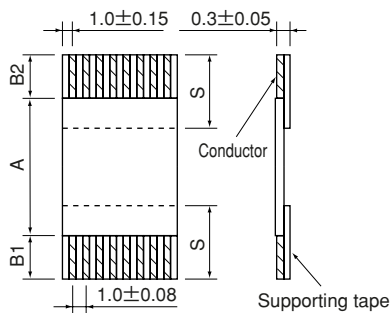
Subminiature motor outlet wiring

- Ratings 2896:80°C, 30V
20624:80°C, 60V
20861:105°C, 60V
20890:105°C, 90V

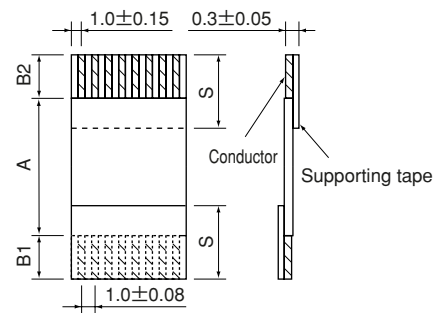
- Standard UL 758
- Hitachi specifications SP23-90983

Construction & specifications

Type F (supporting tape at both ends, on the same side)



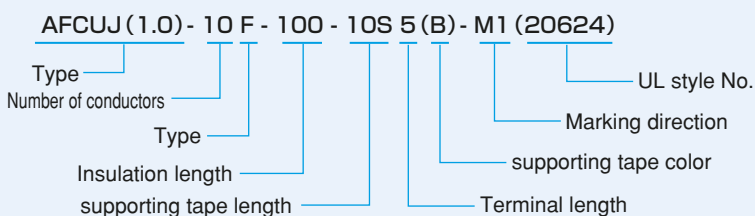
Type G (supporting tape at both ends, on reverse side)



Item	AFCUJ (1.0)	ASCUJ (1.0)
Conductor material	Au plated flat copper conductor	
Conductor size	0.05×0.7mm	0.035×0.7mm
Insulation material	Polyester film (adhesive layer : flame retardant polyester) color : white	
Supporting tape material	Polyester color : blue	
Number of conductors (N)	5 - 40	
Insulation length (A)	25 - 1,000mm	
Terminal length (B1)(B2)	3 - 6mm	
Supporting tape length (S)	5 - 15mm	
Withstand voltage*1	A.C.500V/1min.	
Insulation resistance*1	Min.100 MΩ (D.C.500V at 20°C)	
Flammability	VW-1	

*1 : Between conductors ● Also compatible with bent parts, taped parts, and shielded parts.

Example of product description



CU-Joiner 1.25mm

Whisker controlled <Modified II>

NWHCUJ (1.25) / NWFHCUJ (1.25) / NWSHCUJ (1.25)

RoHS compliance

Features

- For high density wiring, minimizes dimension.
- Easy insertion to connector can reduce processing cost.
- Can be used as replacement FPC with lower cost.

Application

Electronic equipment

Printer

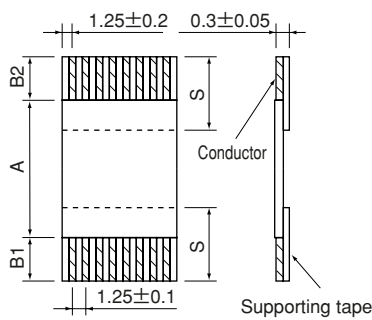
Subminiature motor outlet wiring

● Ratings 2896:80°C, 30V
20624:80°C, 60V
20861:105°C, 60V
20890:105°C, 90V
2643:105°C, 300V

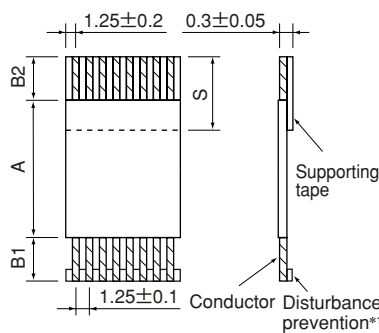
● Standard UL 758
● Hitachi specifications SP23-90981

Construction & specifications

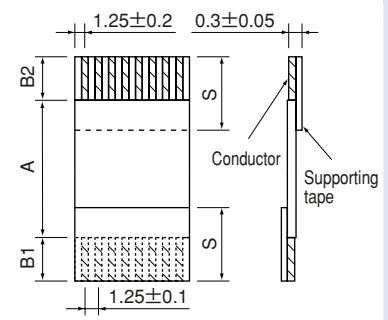
Type F (supporting tape at both ends, on the same side)



Type H (supporting tape at one end)



Type G (supporting tape at both ends, on reverse side)

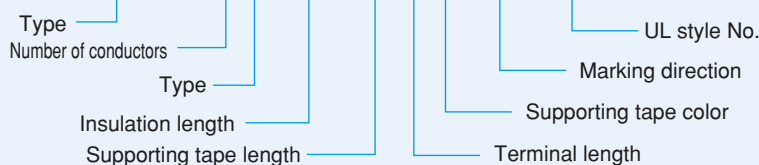


Item	NWHCUJ (1.25)	NWFHCUJ (1.25)	NWSHCUJ (1.25)
Conductor material	Modified II Tin plated flat copper conductor		
Conductor size	0.1×0.8mm	0.05×0.8mm	0.035×0.8mm
Insulation material	Polyester film (adhesive layer : flame retardant polyester) color : white		
Supporting tape material	Polyester color : green		
Number of conductors (N)	5 - 40		
Insulation length (A)	25 - 1,000mm		
Terminal length (B1)	3 - 6mm		
Terminal length (B2)	2 - 4mm		
Supporting tape length (S)	5 - 15mm		
Withstand voltage*2	A.C.500V/1min.		
Insulation resistance*2	Min.100 MΩ (D.C.500V at 20°C)		
Flammability	VW-1		

*1 : Depending on the conductor thickness, wrapping an insulation film around the end of the conductor to prevent disturbance is recommended.
*2 : Between conductors ● Also compatible with bent parts, taped parts, and shielded parts.

Example of product description

NWFHCUJ (1.25) - 10 F - 100 - 10S 6 (G) - M1 (20624)



ECO-GREEN CU-Joiner Whisker controlled <Modified II>

NWEGUFCUJ / NWEGUCUJ

RoHS compliance

Features

- Contains no "Lead", "Halogen" material.
- Flammability safety regulations applicable for UL VW-1.
- Excellent flexibility and application, parallel to that of existing FFC specifications.
- Flameproof material of adhesive is non-phosphorus type.

Application

Electronic equipment

Personal computer

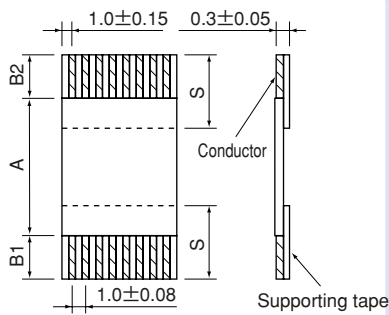
Audio

● Ratings 2896:80°C, 30V
21147:80°C, 60V

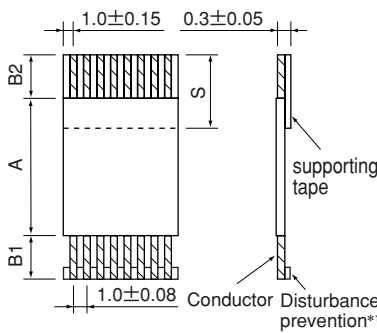
● Standard UL 758
● Applicable pitch 0.5mm, 1.0mm, 1.25mm

Construction & specifications (Example : 1.0mm pitch)

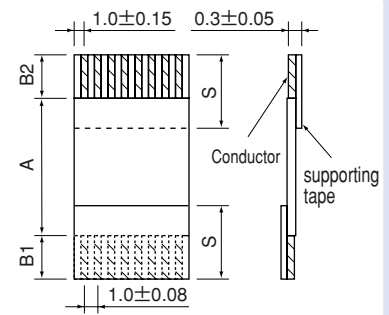
Type F (supporting tape at both ends, on the same side)



Type H (supporting tape at one end)



Type G (supporting tape at both ends, on reverse side)

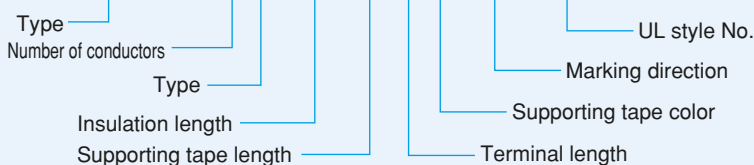


Item	NWEGUFCUJ (1.0)	NWEGUCUJ (1.0)
Conductor material	Modified II Tin plated flat copper conductor	
Conductor size	0.05×0.7mm	0.035×0.7mm
Insulation material	Polyester film (adhesive layer : flame retardant polyester) color : white	
Supporting tape material	Polyester color : green	
Number of conductors (N)	5 - 40	
Insulation length (A)	25 - 1,000mm	
Terminal length (B1)	3 - 6mm	
Terminal length (B2)	2 - 4mm	
Supporting tape length (S)	5 - 15mm	
Withstand voltage*2	A.C.500V/1min.	
Insulation resistance*2	Min.100 MΩ (D.C.500V at 20°C)	
Flammability	VW-1	

*1 : Depending on the conductor thickness, wrapping an insulation film around the end of the conductor to prevent disturbance is recommended.
*2 : Between conductors ● Also compatible with bent parts, taped parts, and shielded parts.

Example of product description

NWEGUFCUJ (1.0) - 10 F - 100 - 6S 4 (G) - M1 (21147)



ECO-GREEN CU-Joiner Au plated

AEGUCUJ/AEGUFCUJ

RoHS compliance

Features

- Contains no "Lead", "Halogen" material.
- Flammability safety regulations applicable for UL VW-1.
- Excellent flexibility and application, parallel to that of existing FFC specifications.
- Flameproof material of adhesive is non-phosphorus type.

Application

Electronic equipment

Personal computer

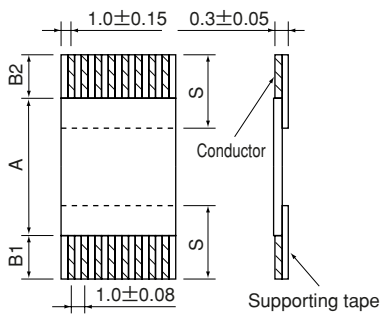
Audio

● Ratings 2896:80°C, 30V
21147:80°C, 60V

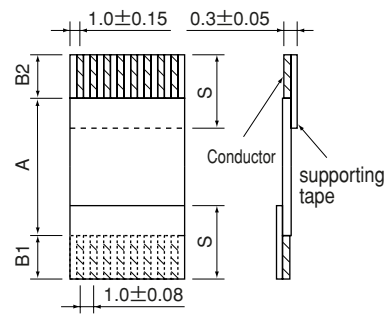
● Standard UL 758
● Applicable pitch 0.5mm, 1.0mm, 1.25mm

Construction & specifications(Example : 1.0mm pitch)

Type F (supporting tape at both ends, on the same side)



Type G (supporting tape at both ends, on reverse side)



Item	AEGUFCUJ (1.0)	AEGUCUJ (1.0)
Conductor material	Au plated flat copper conductor	
Conductor size	0.05×0.7mm	0.035×0.7mm
Insulation material	Polyester film (adhesive layer : flame retardant polyester) color : white	
Supporting tape material	Polyester color : green	
Number of conductors (N)	5 - 40	
Insulation length (A)	25 - 1,000mm	
Terminal length (B1)(B2)	3 - 6mm	
Supporting tape length (S)	5 - 15mm	
Withstand voltage*1	A.C.500V/1min.	
Insulation resistance*1	Min.100 MΩ (D.C.500V at 20°C)	
Flammability	VW-1	

*1 : Between conductors ● Also compatible with bent parts, taped parts, and shielded parts.

Example of product description

AEGUFCUJ (1.0) - 10 F - 100 - 6S 4(B) - M1 (21147)

